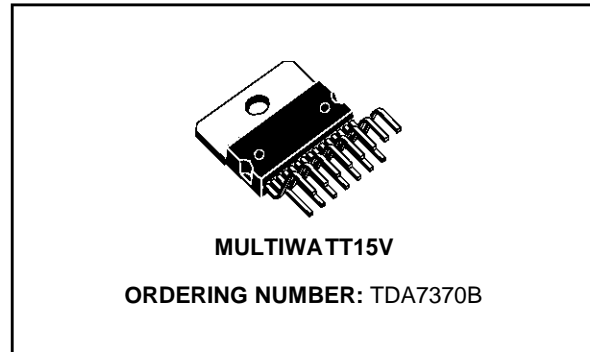


QUAD POWER AMPLIFIER FOR CAR RADIO

- MINIMUM EXTERNAL COMPONENT COUNT
- HIGH CURRENT CAPABILITY
- NO BOOTSTRAP CAPACITORS
- NO BOUCHEROT CELLS
- CLIP DETECTOR OUTPUT
- HIGH OUTPUT POWER
- HIGH APPLICATION FLEXIBILITY
- FIXED GAIN
- VERY LOW STAND-BY CURRENT (1µA typ)
- NO SWITCH ON/OFF NOISE



PROTECTIONS:

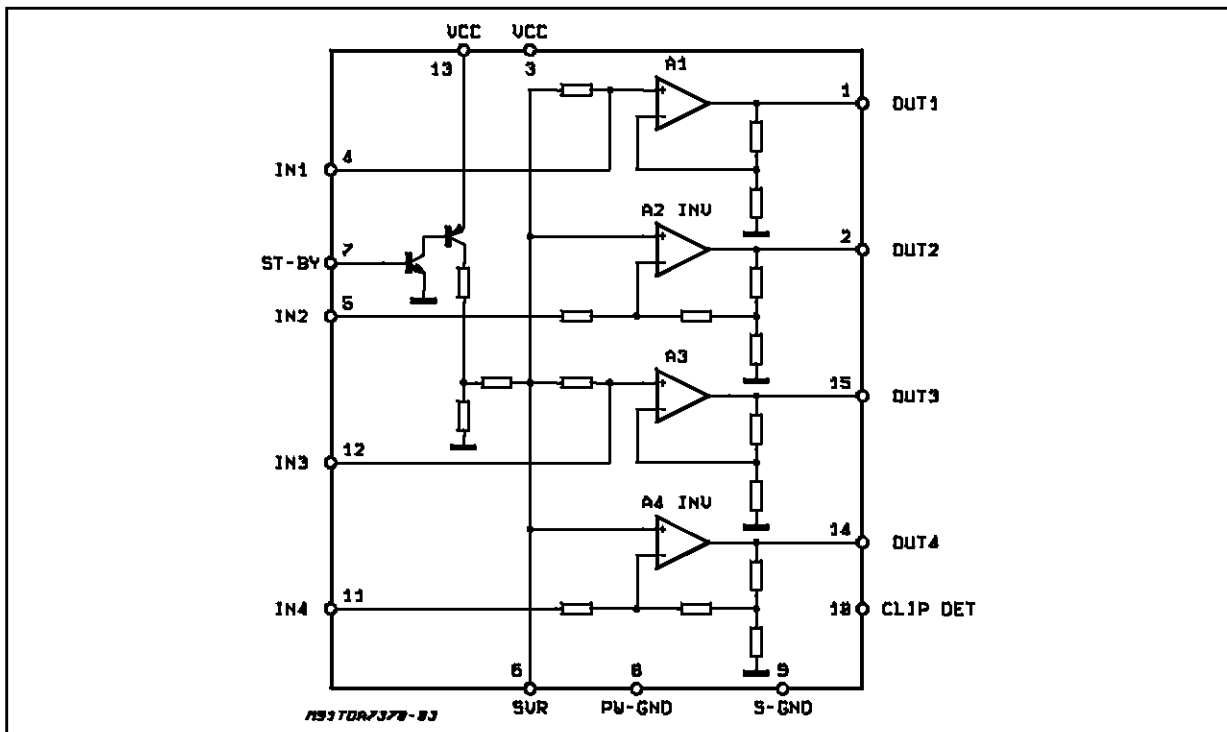
- OUTPUT AC/DC SHORT CIRCUIT TO GND AND TO V_S
- VERY INDUCTIVE LOADS
- OVERRATING CHIP TEMPERATURE
- LOAD DUMP VOLTAGE
- FORTUITOUS OPEN GND
- REVERSE BATTERY
- ESD

DESCRIPTION

The TDA7370B is a new technology class AB quad channels Audio Power Amplifier in Multiwatt package designed for car radio applications.

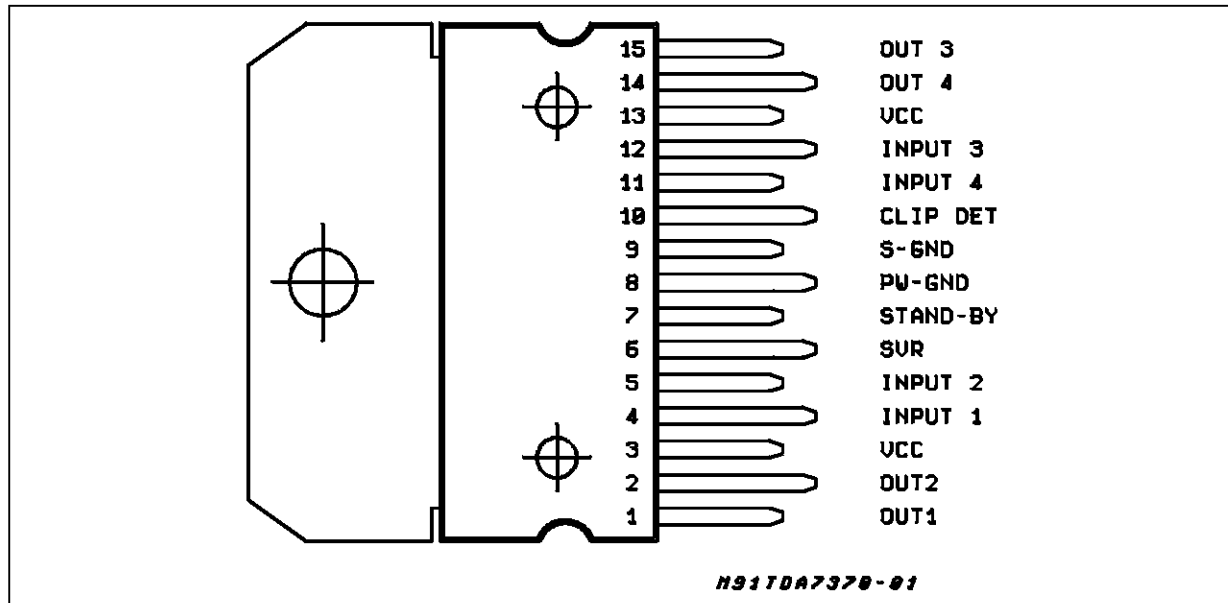
Thanks to the fully complementary PNP/NPN output configuration the high power performances of the TDA7370B are obtained without bootstrap capacitors.

BLOCK DIAGRAM



TDA7370B

PIN CONNECTION (Top view)



ABSOLUTE MAXIMUM RATINGS

Symbol	Parameter	Value	Unit
V_S	DC Supply Voltage	28	V
V_{OP}	Operating Supply Voltage	18	V
V_{PEAK}	Peak Supply Voltage ($t = 50\text{ms}$)	50	V
I_O	Output Peak Current (not rep. $t = 100\mu\text{s}$)	4.5	A
I_O	Output Peak Current (rep. $f > 10\text{Hz}$)	3.5	A
P_{tot}	Power Dissipation ($T_{case} = 85^\circ\text{C}$)	36	W
T_{stg}, T_j	Storage and Junction Temperature	-40 to 150	$^\circ\text{C}$

THERMAL DATA

Symbol	Description	Value	Unit
$R_{th\ j-case}$	Thermal Resistance Junction-case	Max 1.8	$^\circ\text{C/W}$

ELECTRICAL CHARACTERISTICS (Refer to the test circuit; $V_S = 14.4V$; $R_L = 4\Omega$, $T_{amb} = 25^\circ C$, $f = 1kHz$, unless otherwise specified)

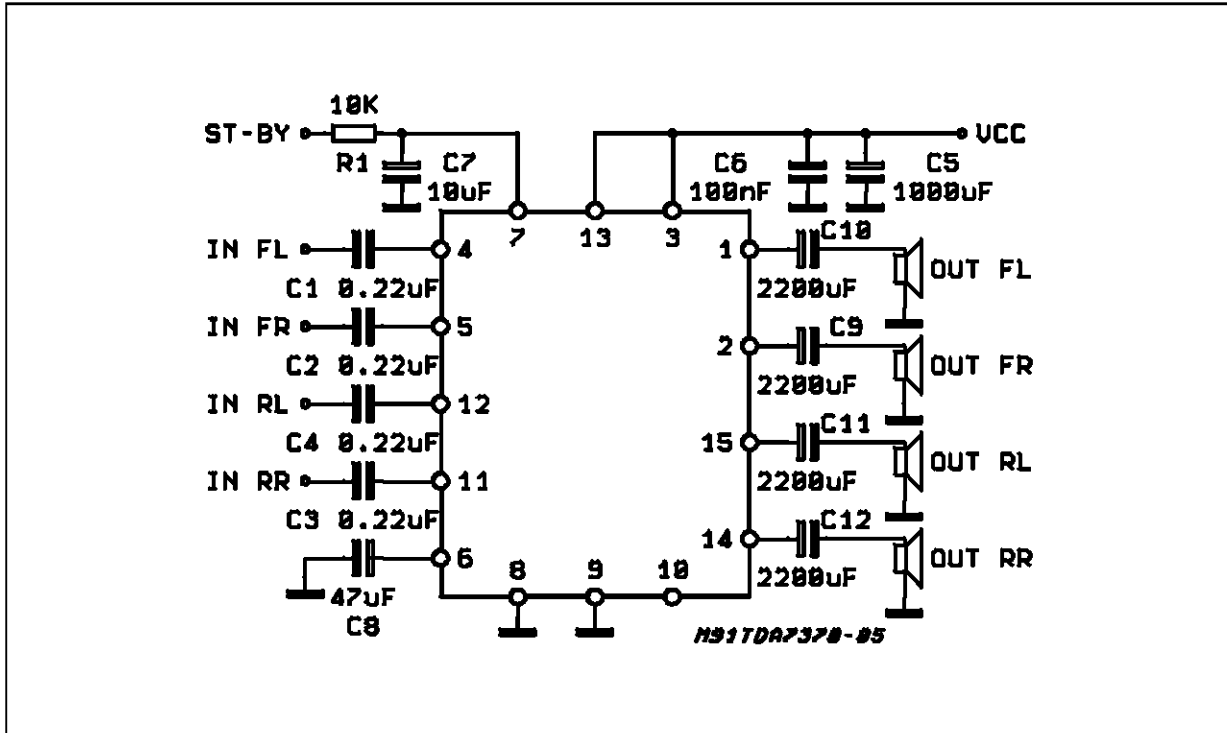
Symbol	Parameter	Test Condition	Min.	Typ.	Max.	Unit
V_S	Supply Range		8		18	V
I_d	Total Quiescent Drain Current	$R_L = \infty$			150	mA
P_O	Output Power	$R_L = 4\Omega$; THD = 10% Single Ended Bridge	5.5	6.5 20		W W
d	Distortion	$R_L = 4\Omega$; Single Ended, $P_O = 0.1$ to 4W Bridge, $P_O = 0.1$ to 10W		0.03	0.5	% %
CT	Cross Talk	f = 1kHz Bridge f = 10kHz Bridge f = 1kHz Single Ended f = 10kHz Single Ended		65 55 60 50		dB dB dB dB
R_{IN}	Input Impedance	Single Ended Bridge	20	15		K Ω K Ω
G_V	Voltage Gain	Single Ended Bridge		20 26		dB dB
G_V	Voltage Gain Match.				1	dB
E_{IN}	Input Noise Voltage (*)	SINGLE ENDED Non Inv. Ch., $R_g = 10k\Omega$ Inv. Ch., $R_g = 10k\Omega$ BRIDGE ($R_g = 0$ to $10k\Omega$)		3.0 5 3.5		μV μV μV
SVR	Supply Voltage Rejection	$R_g = 0$; f = 100Hz to 10kHz		50		dB
ASB	Stand-by Attenuation		60			dB
I_{SB}	ST-BY Current			1		μA
$V_{SB ON}$	ST-BY On Threshold Voltage				1.5	V
$V_{SB OFF}$	ST-BY Off Threshold Voltage		3.5			V
V_{OS}	Output Offset Voltage				200	mV
$I_{CD OFF}$	Clipping Detector "OFF" Output Average Current	THD = 1% (**)		100		μA
$I_{CD ON}$	Clipping Detector "ON" Output Average Current	THD = 10% (**)		190		μA

(*) Weighted A

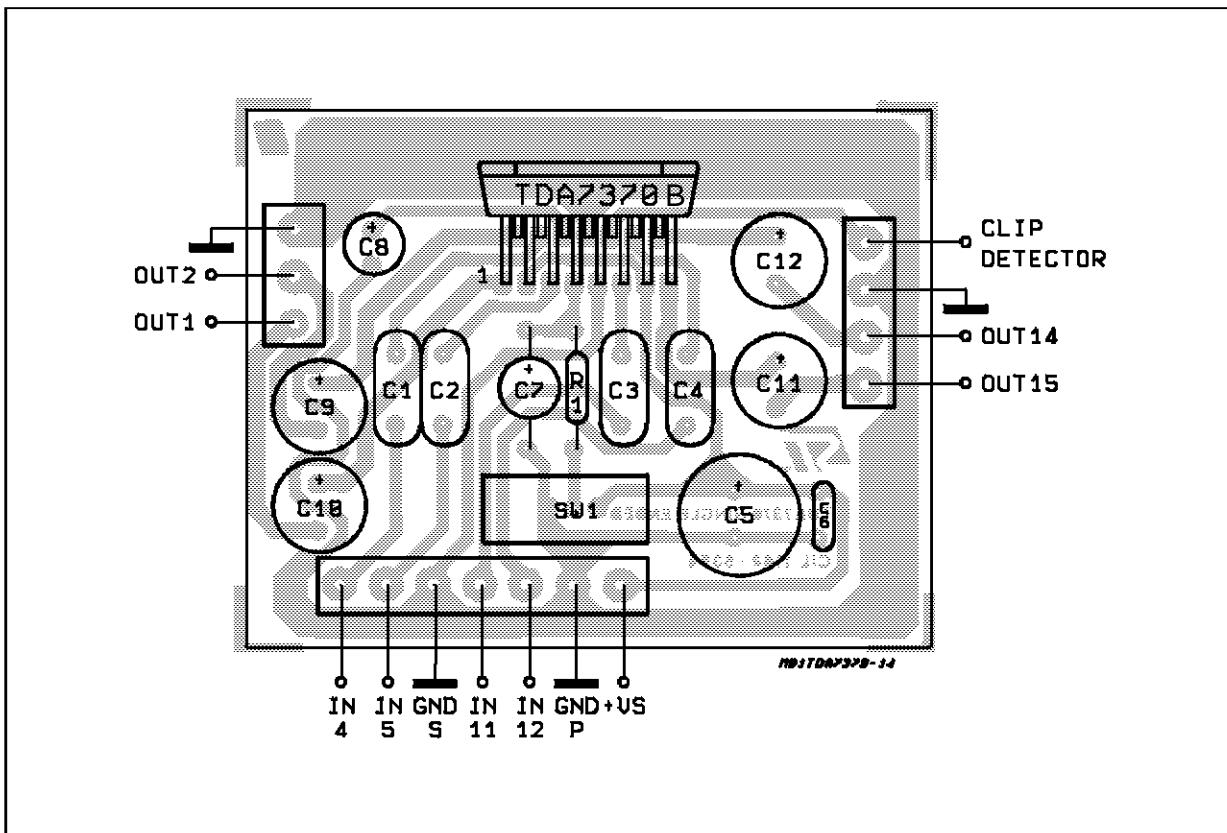
(**) Pin 10 Pulled-up to 5V with $10k\Omega$;

TDA7370B

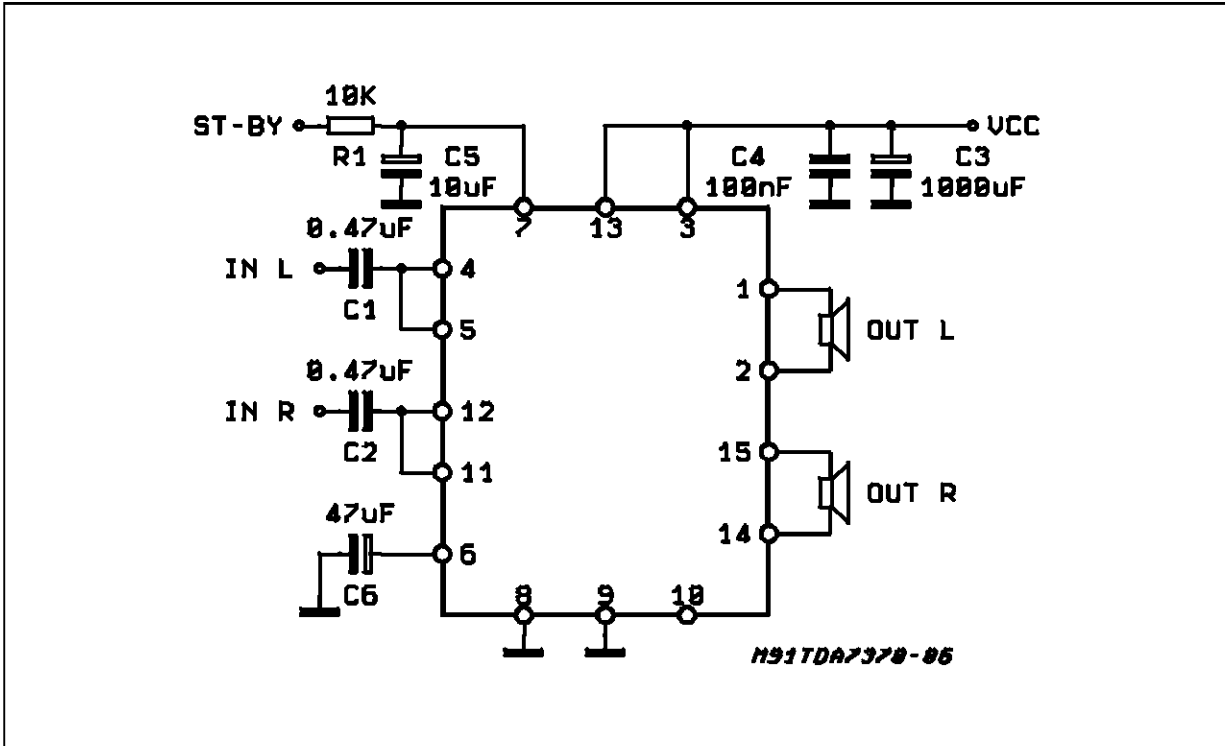
APPLICATION CIRCUIT (QUAD STEREO)



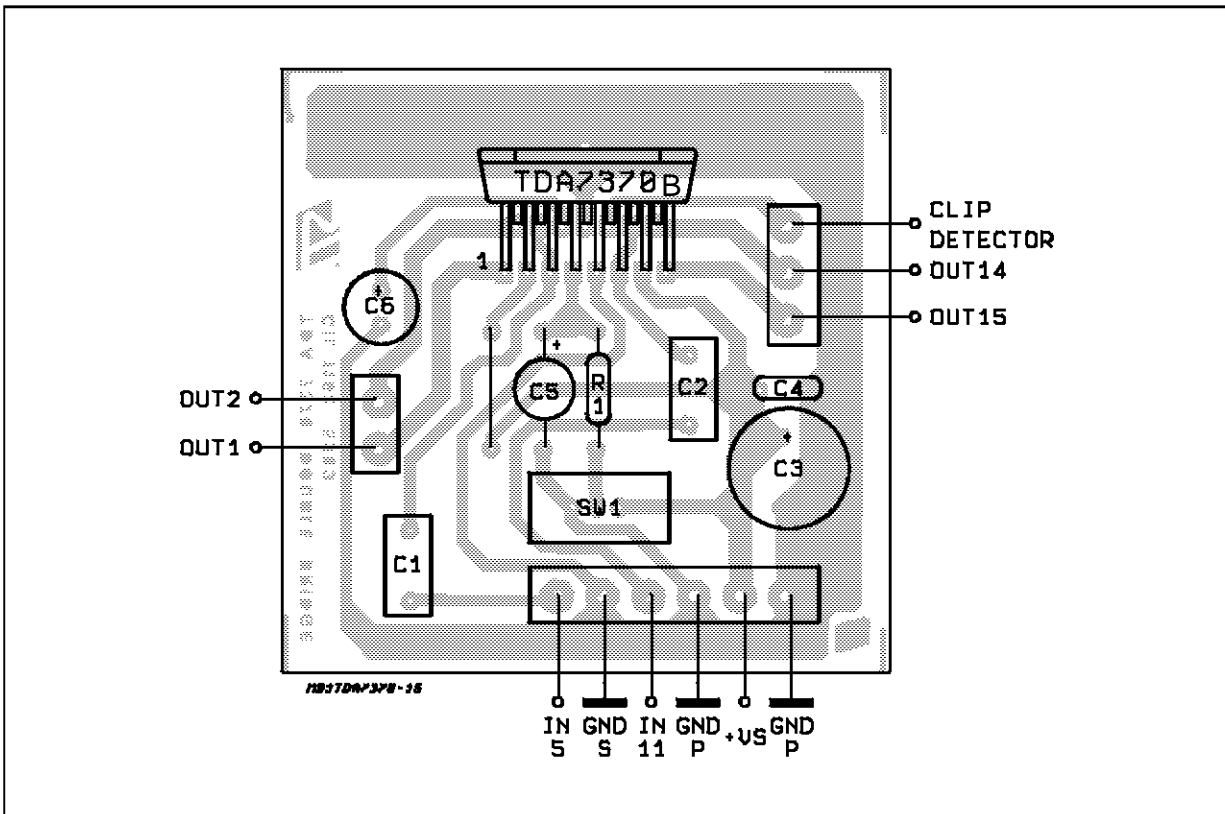
QUAD STEREO P.C. BOARD AND COMPONENT LAYOUT (1:1 SCALE)



APPLICATION CIRCUIT (DOUBLE BRIDGE)



DOUBLE BRIDGE P.C. BOARD AND COMPONENT LAYOUT (1:1 SCALE)



APPLICATION CIRCUIT (STEREO/BRIDGE)

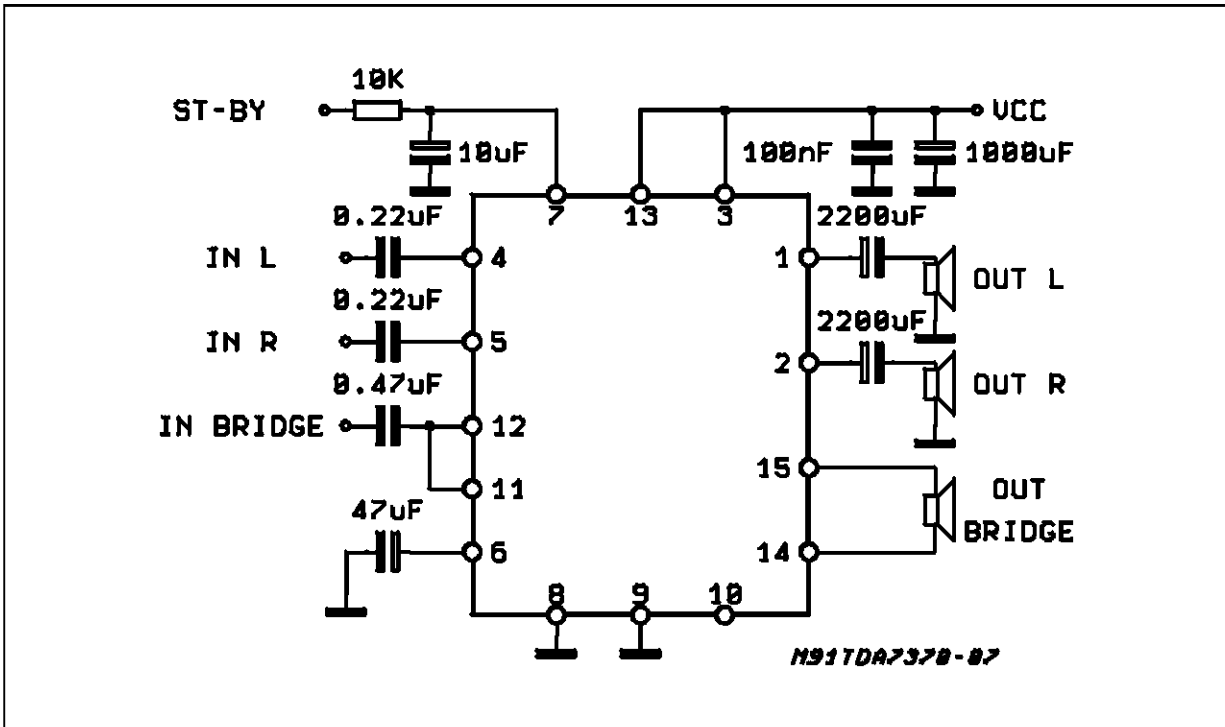


Figure 1: Quiescent Drain Current vs. Supply Voltage (Bridge/Single Ended)

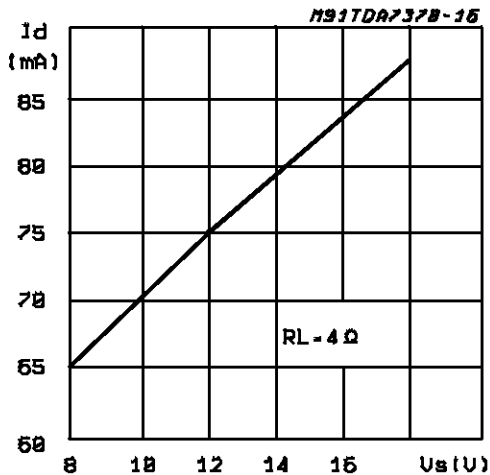


Figure 2: Quiescent Output Voltage vs. Supply Voltage (Bridge/Single Ended)

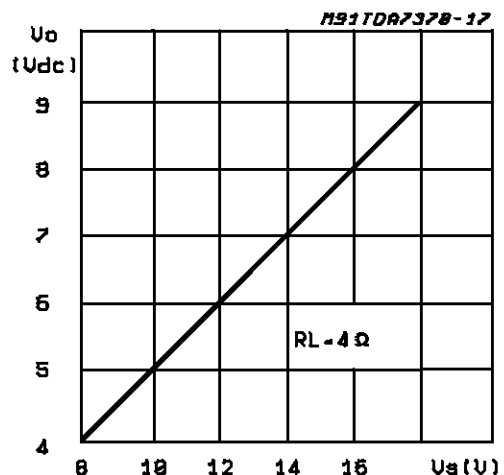


Figure 3: Output Power vs. Supply Voltage (Single Ended)

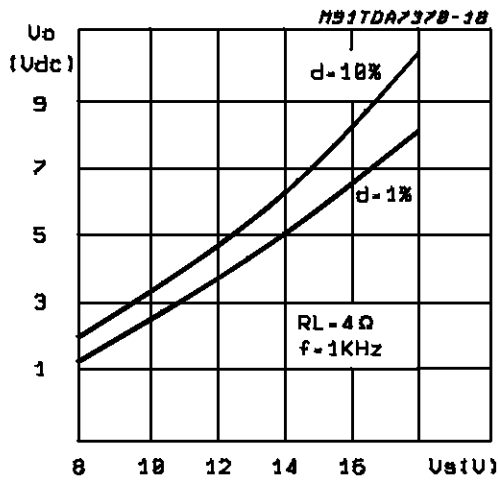


Figure 4: Output Power vs. Supply Voltage (Bridge)

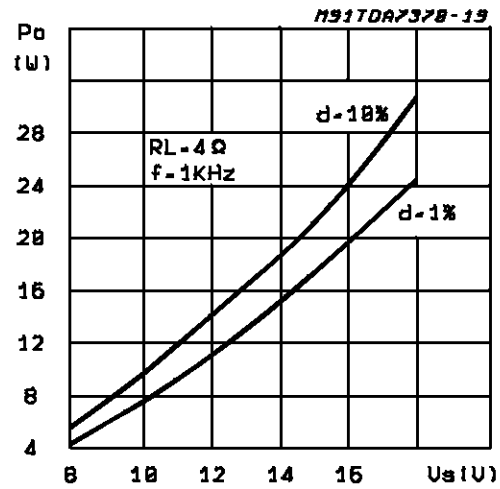


Figure 5: Distortion vs. Output Power (Single Ended)

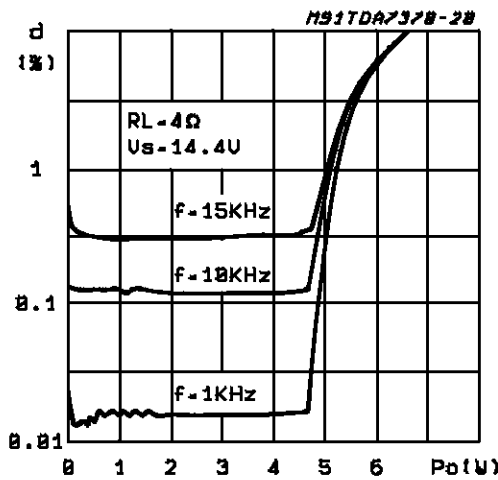


Figure 6: Distortion vs. Output Power (Bridge)

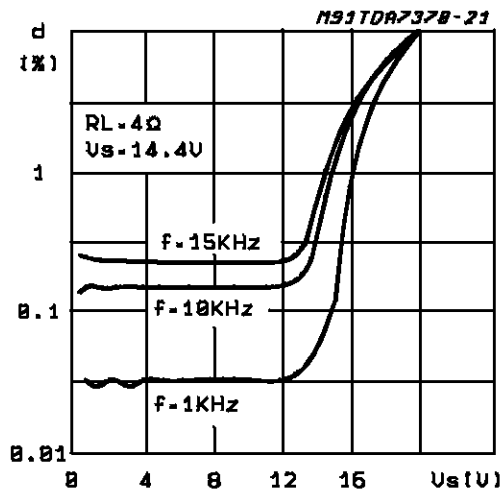


Figure 7: Output Power vs. Frequency (Single Ended)

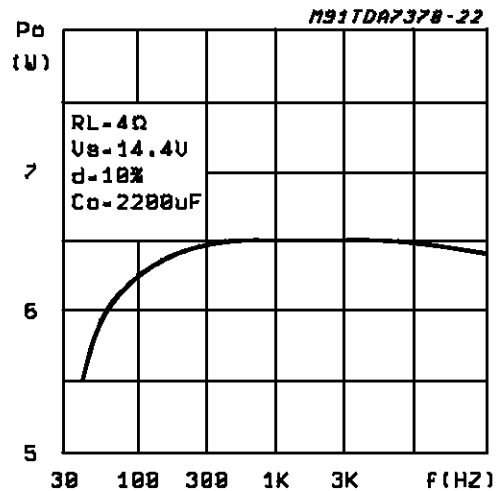


Figure 8: Output Power vs. Frequency (Bridge)

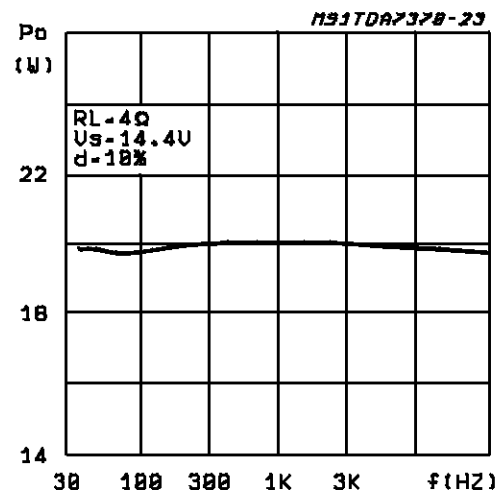


Figure 9: Supply Voltage Rejection vs. Frequency (Single Ended) for different values of pin 6 capacitor.

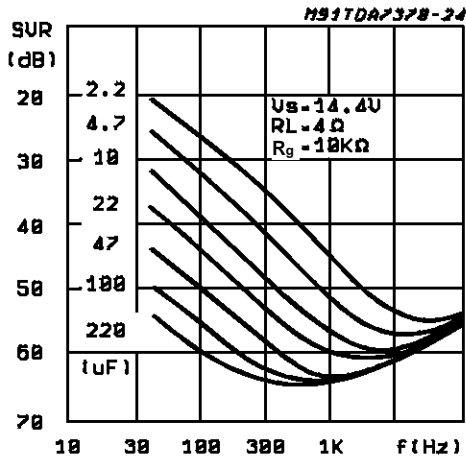


Figure 10: Supply Voltage Rejection vs. Frequency (Bridge) for different values of pin 6 capacitor.

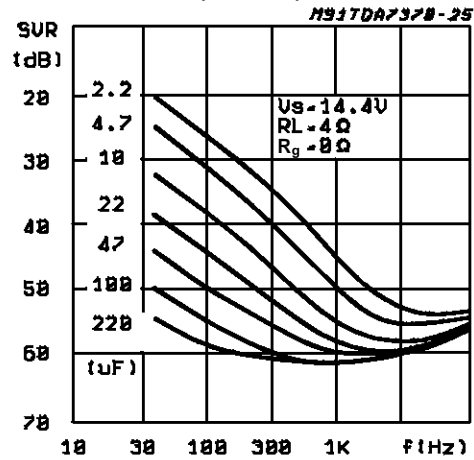


Figure 11: Cross-Talk vs. Frequency (Bridge)

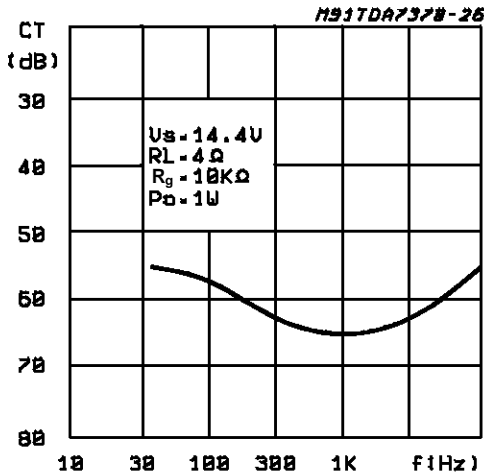


Figure 12: Stand-By Attenuation vs. Threshold Voltage (Single Ended/Bridge)

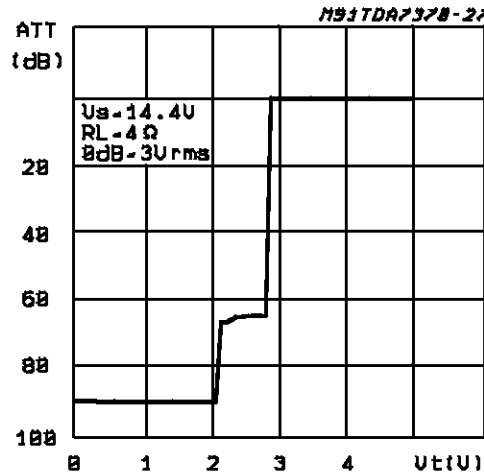


Figure 13: Clipping Detector Average Current (pin 10) vs. Distortion (Single Ended)

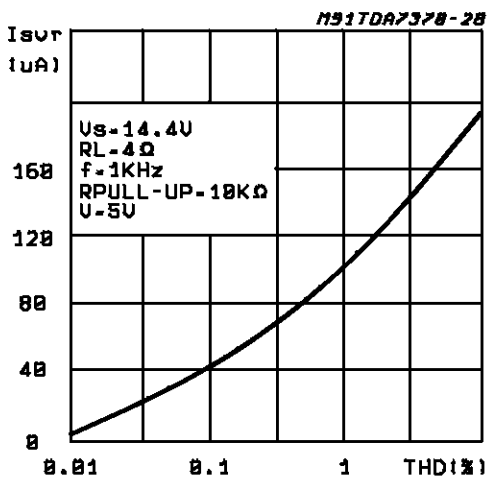


Figure 14: En input vs. Rs (Single Ended)

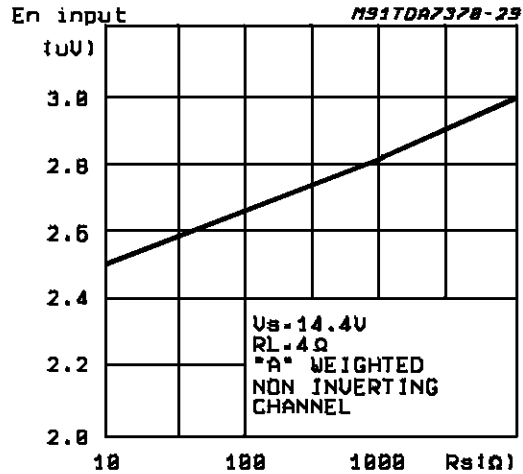


Figure 15: En input vs. R_s (Single Ended)

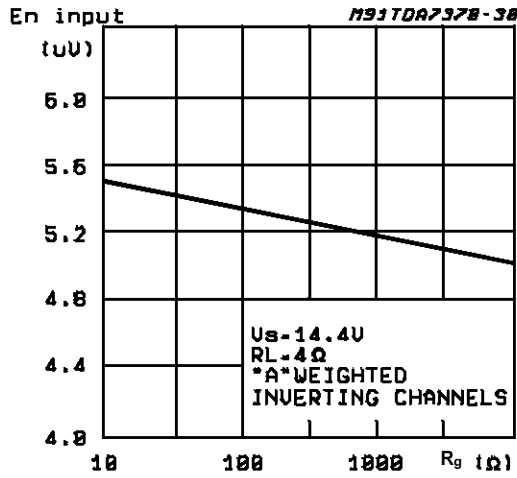


Figure 16: En input vs. R_s (Bridge)

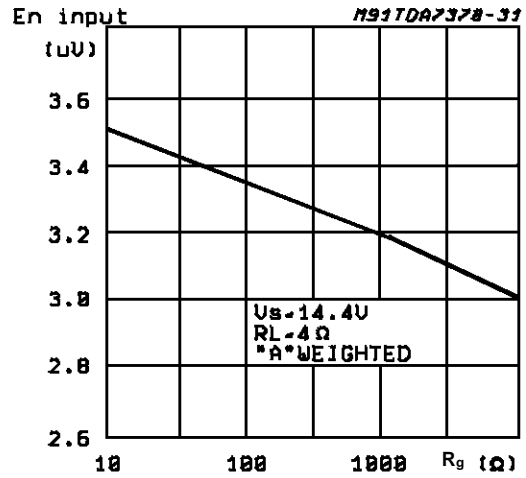


Figure 17: Total Power Dissipation and Efficiency vs. Output Power (Single Ended)

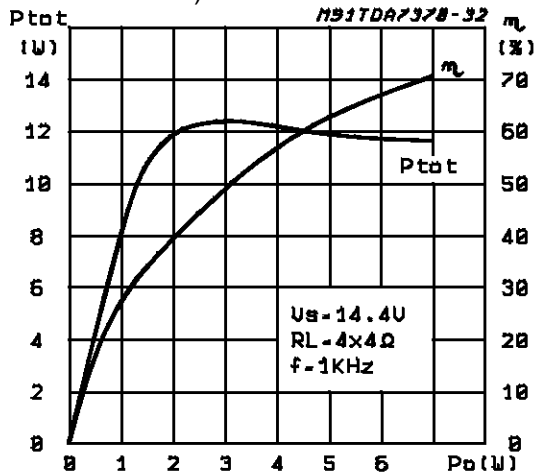
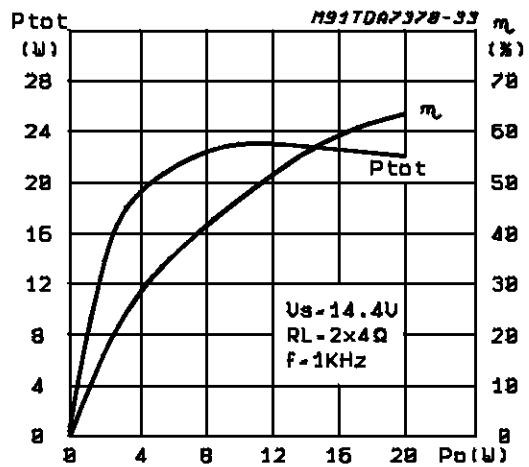


Figure 18: Total Power Dissipation and Efficiency vs. Output Power (Bridge)

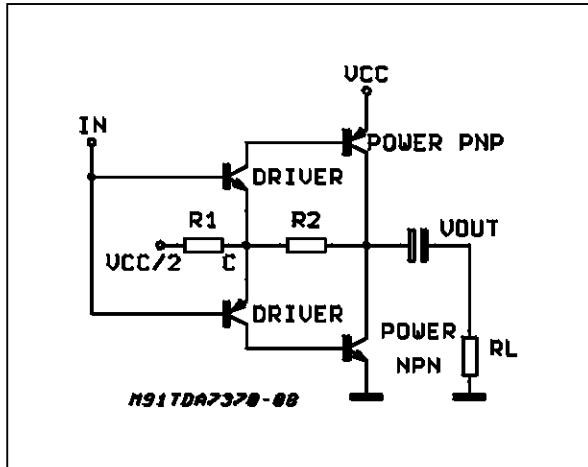


OUTPUT STAGE

The fully complementary output stage was made possible by the development of a new component: the ST exclusive power ICV PNP.

A novel design based upon the connection shown in fig. 19 has then allowed the full exploitation of its possibilities.

Figure 19: The new Output Stage



The clear advantages this new approach has over classical output stages are as follows:

1 - Rail-to-Rail Output Voltage Swing With No Need Of Bootstrap Capacitors.

The output swing is limited only by the V_{cesat} of the output transistors, which are in the range of 0.6 Ohm (R_{sat}) each.

Classical solutions adopting composite PNP-NPN for the upper output stage have higher saturation

loss on the top side of the waveform. This unbalanced saturation causes a significant power reduction. The only way to recover power consists of the addition of expensive bootstrap capacitors.

2 - Absolute Stability Without Any External Compensation.

Referring to the circuit of Fig. 19 the gain V_{OUT}/V_{IN} is greater than unity, approximately $1 + R2/R1$. The DC output ($V_{CC}/2$) is fixed by an auxiliary amplifier common to all the channels).

By controlling the amount of this local feedback it is possible to force the loop gain ($A * \beta$) to less than unity at frequency for which the phase shift is 180 Deg. This means that the output buffer is intrinsically stable and not prone to oscillation.

Most remarkably, the above feature has been achieved in spite of the very low closed loop gain of the amplifier (20 dB).

In contrast, with the classical PNP-NPN stage, the solution adopted for reducing the gain at high frequencies makes use of external RC networks, namely the Boucherot cells.

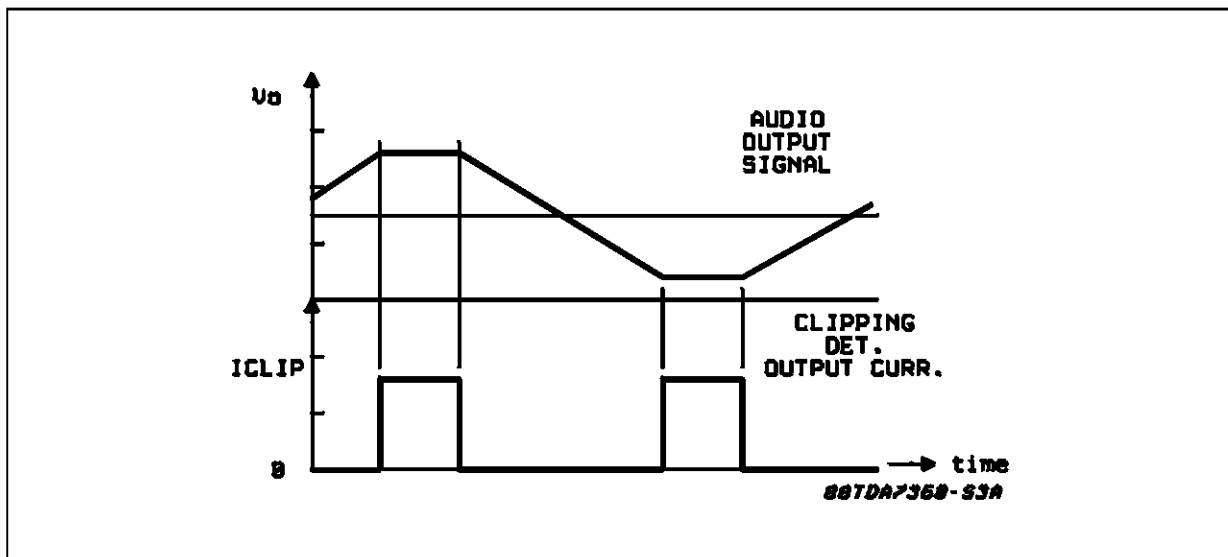
OTHER OUTSTANDING CHARACTERISTICS:

Clipping Detector Output

The TDA7370B is equipped with an internal circuit able to detect the output stage saturation providing a current sinking into an open collector output (pin 10) when a certain distortion level is reached at each output.

This particular function allows gain compression facility whenever the amplifier is overdriven, thus obtaining high quality sound at all listening levels.

Figure 20: Clipping Detection Waveforms



Offset Control

The quiescent output voltage must be as close as possible to its nominal value, so that less undistorted power would be available.

For this reason an input bias current compensation is implemented to reduce the voltage drop across the input resistors, which appears amplified at the outputs.

Gain Internally Fixed to 20dB in Single Ended, 26dB in Bridge

Advantages of this design choice are in terms of:

- components and space saving
- output noise, supply voltage rejection and distortion optimization.

Silent Turn On/Off and Muting/Stand-by Function

The stand-by can be easily activated by means of a CMOS level applied to pin 7 through a RC filter. Under stand-by condition the device is turned off completely (supply current= 1 μ A TYP ; output attenuation=90 dB TYP).

Every ON/OFF operation is virtually pop free.

Furthermore, at turn-on the device stays in muting condition for a time determined by the value assigned to the SVR capacitor ($T = C_{svr} \cdot 7,000$). While in muting the device outputs becomes insensitive to any kinds of signal that may be present at the input terminals. In other words every transient coming from previous stages produces no unpleasant acoustic effect to the speakers.

Another situation under which the device is totally muted is whenever the supply voltage drops lower than 7V. This is helpful to pop suppression during the turn-off by battery switch.

Easy Single Ended to Bridge Transition.

The change from single ended to bridge configurations is made simply by means of a short circuit across the inputs, that is no need of further external components.

High Application Flexibility

The availability of 4 independent channels makes it possible to accomplish several kinds of applications ranging from 4 speakers stereo (F/R) to 2 speakers bridge solutions.

In case of working in single ended conditions the polarity of the speakers driven by the inverting amplifier must be reversed respect to those driven by non inverting channels.

This is to avoid phase inconveniences causing sound alterations especially during the reproduction of low frequencies.

BUILT-IN PROTECTION SYSTEMS

Full Protection of Device and Loudspeakers Against AC/DC Short Circuits (to Gnd, to Vs, across the Speakers).

Reliable and safe operation in presence of all kinds of short circuit involving the outputs is assured by a built-in protection system that operates in the following way:

In case of overload, a SCR is activated as soon as the current flowing through the output transistors overcomes a preset threshold value depending on the chip temperature. The SCR causes an interruption of the supply current of the power transistor. The normal working is restored by a restart circuit going into action as soon as the short circuit is removed.

Load Dump Voltage Surge

The TDA7370B has a circuit which enables it to withstand a voltage pulse train on pins 3 and 13, of the type shown in fig. 22.

If the supply voltage peaks to more than 50V, then an LC filter must be inserted between the supply and pins 3 and 13, in order to assure that the pulses at pins 3 and 13 will be held within the limits shown.

A suggested LC network is shown in fig. 21.

With this network, a train of pulses with amplitude up to 120V and width of 2ms can be applied at point A. This type of protection is ON when the supply voltage (pulse or DC) exceeds 18V. For this reason the maximum operating supply voltage is 18V.

Figure 21

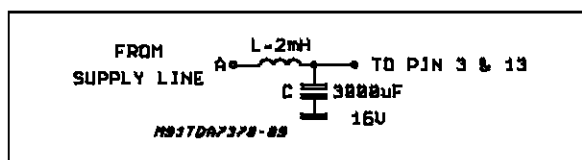
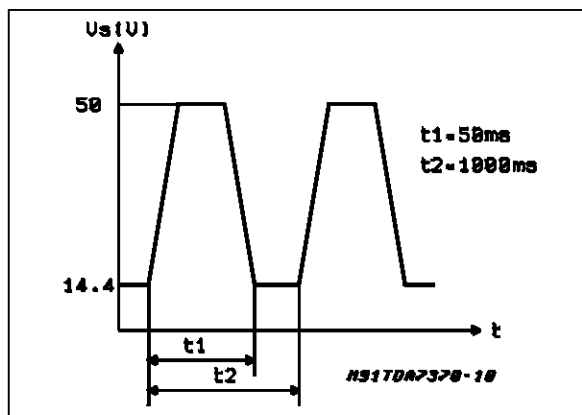


Figure 22



TDA7370B

Polarity Inversion

High current (up to 10A) can be handled by the device with no damage for a longer period than the blow-out time of a quick 2A fuse (normally connected in series with the supply). This feature is added to avoid destruction, if during fitting to the car, a mistake on the connection of the supply is made.

Open Ground

When the radio is in the ON condition and the ground is accidentally opened, a standard audio amplifier will be damaged. On the TDA7370B protection diodes are included to avoid any damage.

Inductive Load

A protection diode is provided to allow use of the TDA7370B with inductive loads.

DC Voltage

The maximum operating DC voltage for the TDA7370B is 18V.

However the device can withstand a DC voltage up to 28V with no damage. This could occur during winter if two batteries are series connected to crank the engine.

Thermal Shut-down

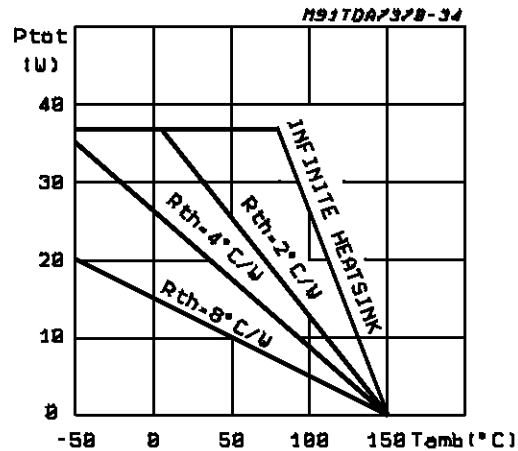
The presence of a thermal limiting circuit offers the following advantages:

- 1) an overload on the output (even if it is permanent), or an excessive ambient temperature can be easily withstood.
- 2) the heatsink can have a smaller factor of

safety compared with that of a conventional circuit. There is no device damage in case of excessive junction temperature: all happens is that P_o (and therefore P_{tot}) and I_d are reduced.

The maximum allowable power dissipation depends upon the size of the external heatsink (i.e. its thermal resistance); Fig. 23 shows the dissippable power as a function of ambient temperature for different thermal resistance.

Figure 23: Maximum Allowable Power Dissipation vs. Ambient Temperature



Loudspeaker Protection

The TDA7370B guarantees safe operations even for the loudspeaker in case of accidental shortcircuit. Whenever a single OUT to GND, OUT to V_s short circuit occurs both the outputs are switched OFF so limiting dangerous DC current flowing through the loudspeaker.

CLIPPING DETECTOR

Figures 25 and 26 show an application using the TDA7370B in combination with the SGS-THOMSON audioprocessor TDA7302.

The output clipping is recognized by the microprocessor (in this application it is simulated by a PC).

The detailed way to operate of the system is represented by the flow-chart of fig.24

The controller detects when the clipping is active (minimum detection width fixed by a $C29 = 12 \text{ nF}$ external capacitor), and reduces the volume (or bass) by steps of 2 dB (with a programmable waiting time), until no more clipping is detected.

Then the controller waits for a programmable time before increasing the volume again by step of 2 dB until clipping is again detected or the panel selected volume is reached.

Practical advantages of this application is a better sound quality deriving from operation under no clipping conditions, which also means the availability of higher undistorted power.

WHAT IS NEEDED FOR A DEMONSTRATION

- a XT or AT IBM compatible PC, supplied with EGA card
- a SGS-THOMSON audioprocessor application disk
- a TDA 7302 + TDA7370B board
- a connector from audioprocessor board to PC parallel port

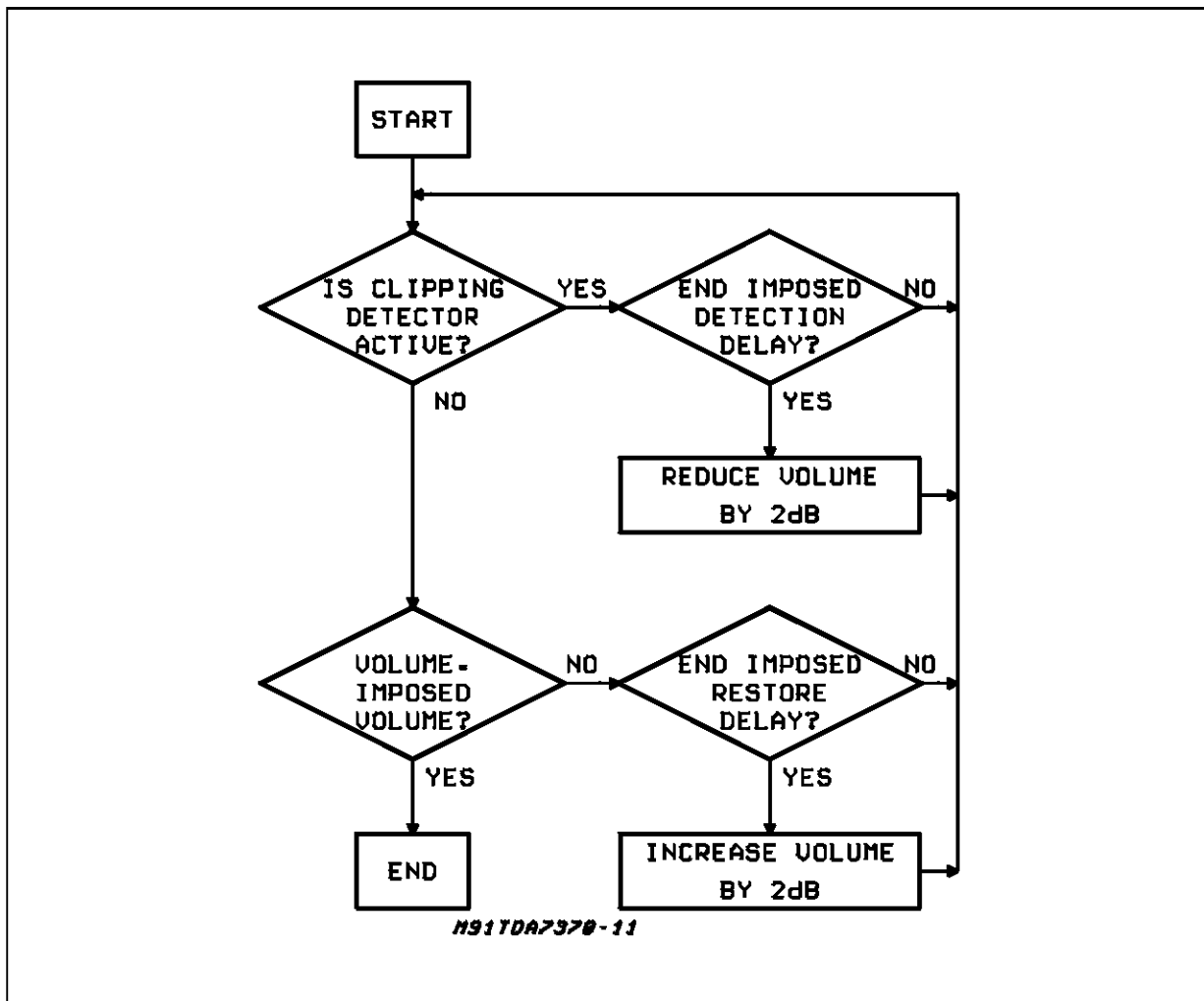
GENERAL INFORMATION

In the application shown in figures 25 and 26 the TDA7302 audioprocessor works on PC XT or AT IBM compatible.

Control is accomplished by serial bus (S-bus or I²C-bus or SPI bus) sent to the test board through the PC parallel port.

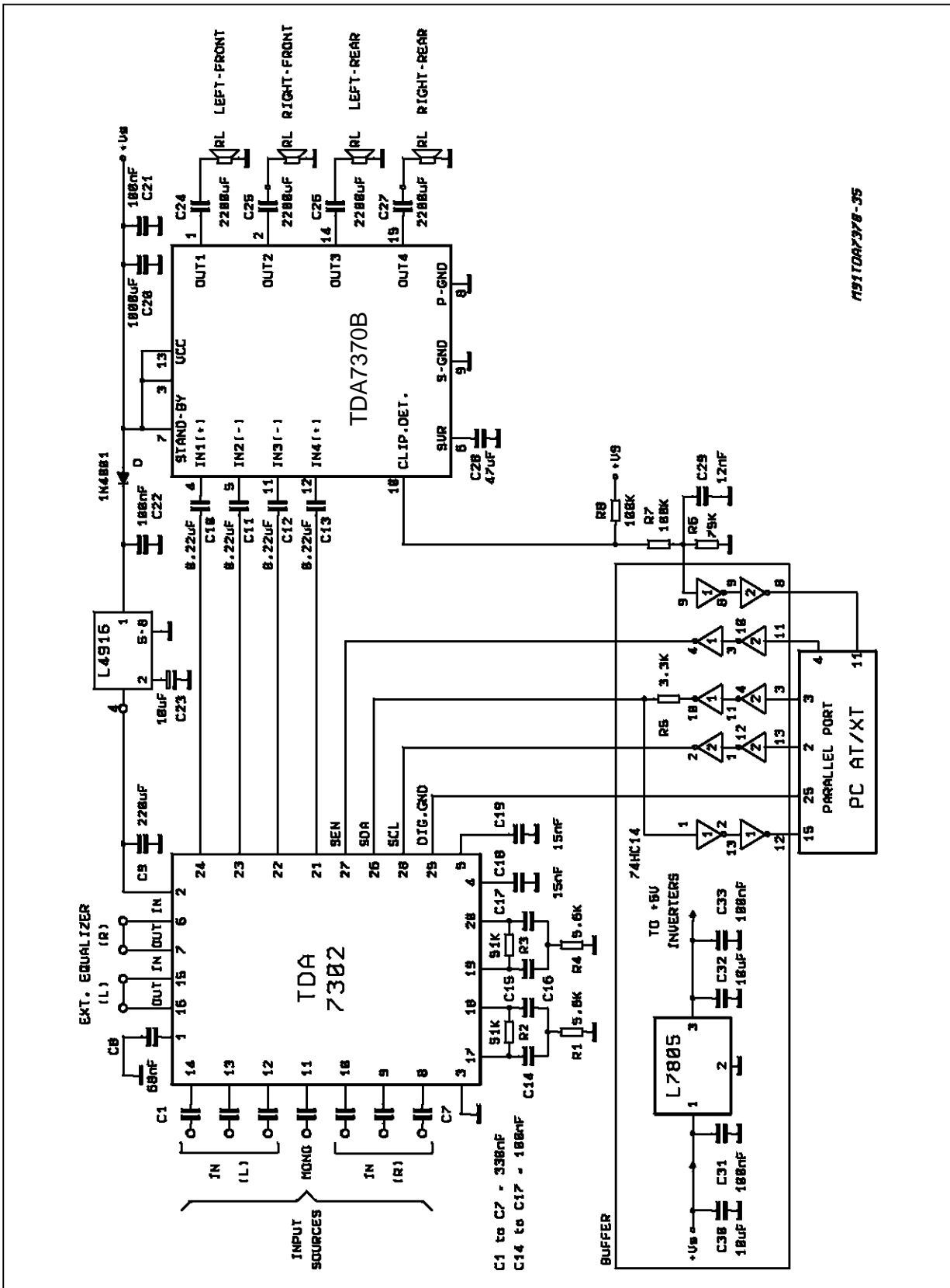
The PC simulates the behaviour of the microprocessor in a real application (for example in a car radio) and the buffer is necessary only in this application for protecting the PC.

Figure 24: Clipping Detector Control Routine



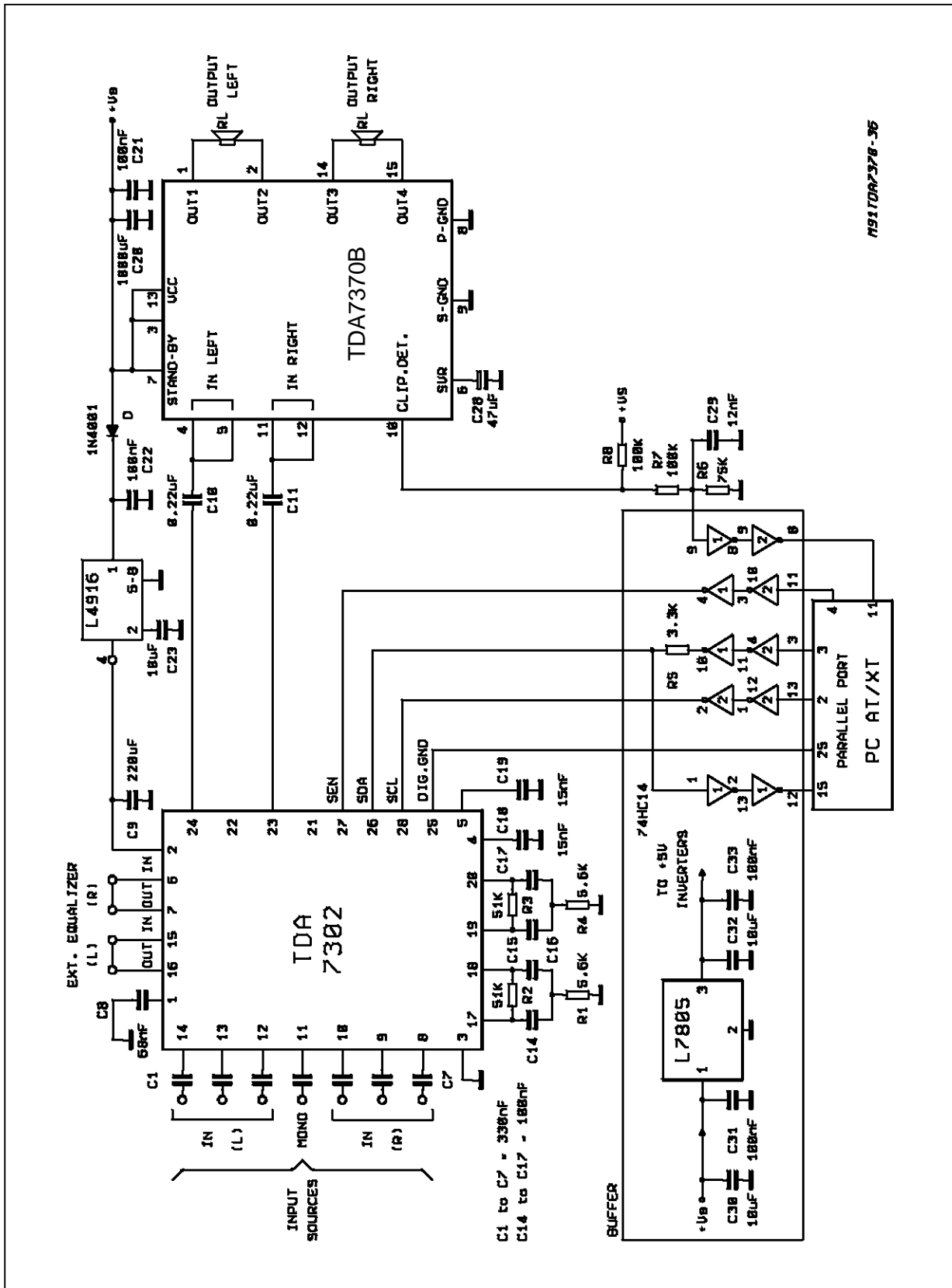
TDA7370B

Figure 25: Application with TDA7302 + TDA7370B (QUAD STEREO)



M9110A/2378-35

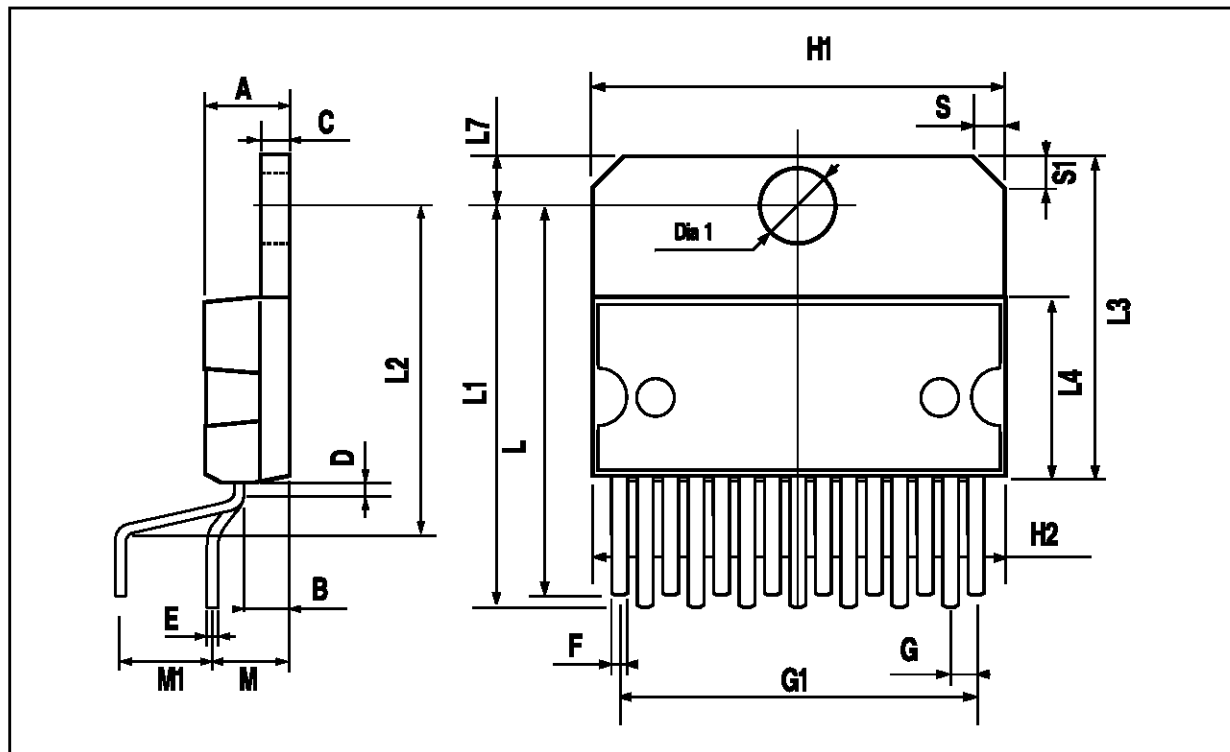
Figure 26: Application with TDA7302 + TDA7370B (DOUBLE BRIDGE)



MS1TDA7378-36

MECHANICAL DATA AND DIMENSIONS OF THE MULTIWATT15 (Vertical)

DIM.	mm			inch		
	MIN.	TYP.	MAX.	MIN.	TYP.	MAX.
A			5			0.197
B			2.65			0.104
C			1.6			0.063
D		1			0.039	
E	0.49		0.55	0.019		0.022
F	0.66		0.75	0.026		0.030
G	1.14	1.27	1.4	0.045	0.050	0.055
G1	17.57	17.78	17.91	0.692	0.700	0.705
H1	19.6			0.772		
H2			20.2			0.795
L	22.1		22.6	0.870		0.890
L1	22		22.5	0.866		0.886
L2	17.65		18.1	0.695		0.713
L3	17.25	17.5	17.75	0.679	0.689	0.699
L4	10.3	10.7	10.9	0.406	0.421	0.429
L7	2.65		2.9	0.104		0.114
M	4.2	4.3	4.6	0.165	0.169	0.181
M1	4.5	5.08	5.3	0.177	0.200	0.209
S	1.9		2.6	0.075		0.102
S1	1.9		2.6	0.075		0.102
Dia1	3.65		3.85	0.144		0.152



Information furnished is believed to be accurate and reliable. However, SGS-THOMSON Microelectronics assumes no responsibility for the consequences of use of such information nor for any infringement of patents or other rights of third parties which may result from its use. No license is granted by implication or otherwise under any patent or patent rights of SGS-THOMSON Microelectronics. Specifications mentioned in this publication are subject to change without notice. This publication supersedes and replaces all information previously supplied. SGS-THOMSON Microelectronics products are not authorized for use as critical components in life support devices or systems without express written approval of SGS-THOMSON Microelectronics.

© 1995 SGS-THOMSON Microelectronics - All Rights Reserved
MULTIWATT® is a Registered Trademark of the SGS-THOMSON Microelectronics

SGS-THOMSON Microelectronics GROUP OF COMPANIES

Australia - Brazil - France - Germany - Hong Kong - Italy - Japan - Korea - Malaysia - Malta - Morocco - The Netherlands - Singapore - Spain - Sweden - Switzerland - Taiwan - Thailand - United Kingdom - U.S.A.